

Patented, Breveté, Patentato

MEGAMILL

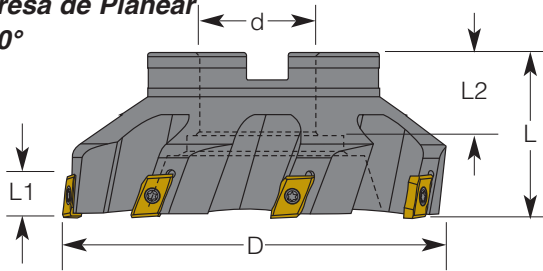
The Only Helical Positive Indexable Cutter


L'unique Fraise Hélicoidale avec Coupe Positive

La Unica Fresa Hélicoidal con Corte Positivo

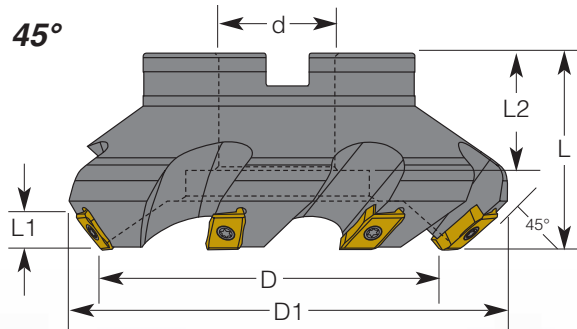
INCH SERIES


Face Mill
 Fraise à Surface
 Fresa de Planear
 90°



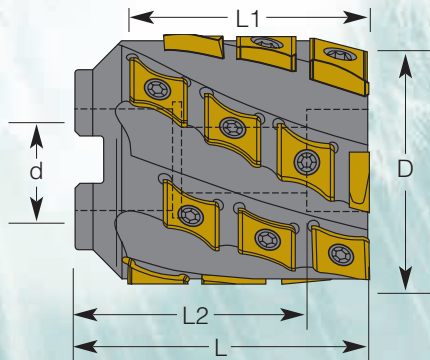
| TOOL NO. | DIMENSIONS IN INCHES | | | | | NO. OF FLUTES Z | INSERTS NO.  |
|---------------|----------------------|------|-----|------|-----|--------------------|--|
| | D | d | L1 | L2 | L | | |
| MIF-64900475 | 2.0 | .75 | .44 | .87 | 2.0 | 5 | CMSI-465 |
| MIF-80900575 | 2.5 | .75 | .63 | .87 | 2.0 | 5 | CMSI-620 |
| MIF-96900610 | 3.0 | 1.00 | .63 | .87 | 2.0 | 6 | CMSI-620 |
| MIF-128900712 | 4.0 | 1.50 | .63 | 1.25 | 2.5 | 7 | CMSI-620 |
| MIF-160900815 | 5.0 | 1.50 | .63 | 1.50 | 2.5 | 8 | CMSI-620 |
| MIF-192900920 | 6.0 | 2.00 | .63 | 1.50 | 2.5 | 9 | CMSI-620 |
| MIF-256901325 | 8.0 | 2.50 | .63 | 1.37 | 2.5 | 13 | CMSI-620 |
| MIF-320901725 | 10.0 | 2.50 | .63 | 1.37 | 2.5 | 17 | CMSI-620 |



Face Mill
 Fraise à Surface
 Fresa de Planear
 45°



| TOOL NO. | DIMENSIONS IN INCHES | | | | | | NO. OF FLUTES Z | INSERTS NO.  |
|---------------|----------------------|------|-----|------|-----|-------|--------------------|--|
| | D | d | L1 | L2 | L | D1 | | |
| MIF-80450575 | 2.48 | .75 | .30 | .87 | 2.0 | 3.15 | 5 | CMSI-465 |
| MIF-96450610 | 3.15 | 1.00 | .30 | .87 | 2.0 | 3.94 | 6 | CMSI-465 |
| MIF-128450712 | 3.94 | 1.50 | .40 | 1.25 | 2.5 | 4.92 | 7 | CMSI-620 |
| MIF-160450815 | 4.92 | 1.50 | .40 | 1.50 | 2.5 | 5.90 | 8 | CMSI-620 |
| MIF-192450920 | 6.30 | 2.00 | .40 | 1.50 | 2.5 | 7.28 | 10 | CMSI-620 |
| MIF-256451325 | 7.87 | 2.50 | .40 | 1.37 | 2.5 | 8.82 | 12 | CMSI-620 |
| MIF-320451725 | 9.84 | 2.50 | .40 | 1.37 | 2.5 | 10.78 | 16 | CMSI-620 |

Shell Mill



| TOOL NO. | DIMENSIONS IN INCHES | | | | | NO. OF FLUTES Z | INSERTS NO. | | | | |
|------------|----------------------|------|------|------|------|--------------------|--|----|---|-----------|---|
| | D | d | L1 | L2 | L | | Side Insert  | | End Insert  | | |
| | | | | | | | Qty | | Qty | | |
| MIS-80214 | 2.5 | 1.00 | 2.10 | 2.18 | 2.87 | 4 | CMSI-620 | 10 | | CMEI-687W | 2 |
| MIS-96286 | 80 | 1.25 | 2.85 | 2.37 | 3.62 | 6 | CMSI-620 | 18 | | CMEI-687C | 3 |
| MIS-128326 | 100 | 1.50 | 3.23 | 2.62 | 4.00 | 6 | CMSI-620 | 24 | | CMEI-687C | 3 |